

BF系列 (方形支撐側) Support Unit BF (Supported-side rectangular type)

訂購編號 Order Coding	型號 Model No.	表面處理 Surface treatment	適用螺桿 Applicable ballscrew accuracy grade	使用軸承 Bearing
BF10_C7	BF10	染黑 Black Oxide	C7	608ZZ
BF10_C3			C3 C5	608ZZ
BF10_C7N		化學鍍 Electroless Nickel Plating	C7	608DD
BF10_C3N			C3 C5	608DD
BF12_C7	BF12	染黑 Black Oxide	C7	6000ZZ
BF12_C3			C3 C5	6000ZZ
BF12_C7N		化學鍍 Electroless Nickel Plating	C7	6000DDU
BF12_C3N			C3 C5	6000DDU
BF15_C7	BF15	染黑 Black Oxide	C7	6002ZZ
BF15_C3			C3 C5	6002ZZ
BF15_C7N		化學鍍 Electroless Nickel Plating	C7	6002DDU
BF15_C3N			C3 C5	6002DDU
BF17_C7	BF17	染黑 Black Oxide	C7	6203ZZ
BF17_C3			C3 C5	6203ZZ
BF17_C7N		化學鍍 Electroless Nickel Plating	C7	6203DDU
BF17_C3N			C3 C5	6203DDU
BF20_C7	BF20	染黑 Black Oxide	C7	6004ZZ
BF20_C3			C3 C5	6004ZZ
BF20_C7N		化學鍍 Electroless Nickel Plating	C7	6004DDU
BF20_C3N			C3 C5	6004DDU
BF25_C7	BF25	染黑 Black Oxide	C7	6205ZZ
BF25_C3			C3 C5	6205ZZ
BF25_C7N		化學鍍 Electroless Nickel Plating	C7	6205DDU
BF25_C3N			C3 C5	6205DDU
BF30_C7	BF30	染黑 Black Oxide	C7	6206ZZ
BF30_C3			C3 C5	6206ZZ
BF30_C7N		化學鍍 Electroless Nickel Plating	C7	6206DDU
BF30_C3N			C3 C5	6206DDU
BF35_C7	BF35	染黑 Black Oxide	C7	6207ZZ
BF35_C3			C3 C5	6207ZZ
BF35_C7N		化學鍍 Electroless Nickel Plating	C7	6207DDU
BF35_C3N			C3 C5	6207DDU
BF40_C7	BF40	染黑 Black Oxide	C7	6208ZZ
BF40_C3			C3 C5	6208ZZ
BF40_C7N		化學鍍 Electroless Nickel Plating	C7	6208DDU
BF40_C3N			C3 C5	6208DDU



染黑 (適用環境：一般)
Black Oxide (Application : General case)



化學鍍 (適用環境：無塵室)
Electroless Nickel Plating (Application : Clean room)

備註 (Note)

1. 染黑使用之軸承採用雙鐵蓋
(It is used double pressed steel cages for Black Oxide type support units .)
2. 化學鍍使用之軸承採用雙塑膠蓋
(It is used double plastic cages for Electroless Nickel Plating type support units .)
3. 軸承皆採用日系品牌大廠
(All of bearings use Japan's brand bearings.)

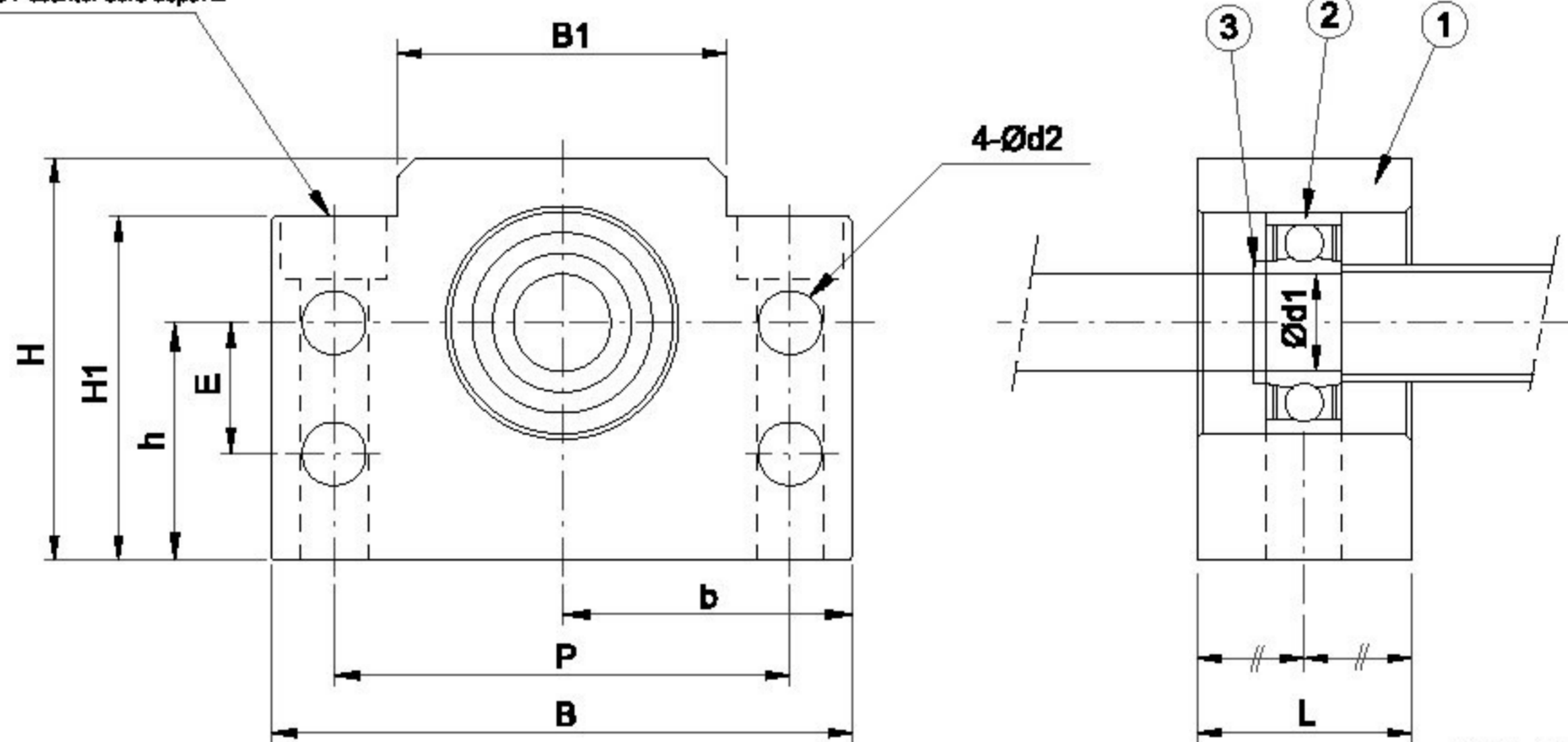
BF系列（方形支撐側）
Support Unit BF
 (Supported-side rectangular type)



編號/Part No.	部品名稱/Part name	數量/Qty
1	軸承座本體/Housing	1
2	軸承/Bearing	1組/1 set
3	C型扣環/Snap ring	1

BF

2-φX鑽穿のY鑽深Z
 2-X drill ØY counter bore depth Z



單位/Unit : mm

型號 Model No.	軸徑 Shaft diameter d1	L	B	H	b	h	B1	H1	E	P	d2	X	Y	Z	使用軸承 Bearing	使用C型扣環 Snap ring
					±0.02	±0.02										
BF10	8	20	60	39	30	22	34	32.5	15	46	5.5	6.6	10.8	5	608ZZ	S 08
BF12	10	20	60	43	30	25	34	32.5	18	46	5.5	6.6	10.8	1.5	6000ZZ	S 10
BF15	15	20	70	48	35	28	40	38	18	54	5.5	6.6	11	6.5	6002ZZ	S 15
BF17	17	23	86	64	43	39	50	55	28	68	6.6	9	14	8.5	6203ZZ	S 17
BF20	20	26	88	60	44	34	52	50	22	70	6.6	9	14	8.5	6004ZZ	S 20
BF25	25	30	106	80	53	48	64	70	33	85	9	11	17.5	11	6205ZZ	S 25
BF30	30	32	128	89	64	51	76	78	33	102	11	14	20	13	6206ZZ	S 30
BF35	35	32	140	96	70	52	88	79	35	114	11	14	20	13	6207ZZ	S 35
BF40	40	37	160	110	80	60	100	90	37	130	14	18	26	17.5	6208ZZ	S 40