




BK系列 (方形固定側) Support Unit BK (fixed-side rectangular type)

訂購編號 Order Coding	型號 Model No.	表面處理 Surface Treatment	適用螺桿 Applicable ballscrew accuracy grade	使用軸承 Bearing			
BK25_C7	BK25	染黑 Black Oxide	C7	7205A P0	 <p style="text-align: center;">染黑 (適用環境：一般) Black Oxide (Application : General case)</p>		
BK25B_C7			C7	7205B P0			
BK25_C5			C5	7205A P0			
BK25B_C5			C5	7205B P0			
BK25_C3			C3	7205A P5			
BK25_C7N			化學鍊 Electroless Nickel Plating	C7		7205A P0	
BK25B_C7N		C7		7205B P0			
BK25_C5N		C5		7205A P0			
BK25B_C5N		C5		7205B P0			
BK25_C3N		C3		7205A P5			
BK30_C7		BK30		染黑 Black Oxide		C7	7206A P0
BK30B_C7			C7			7206B P0	
BK30_C5	C5		7206A P0				
BK30B_C5	C5		7206B P0				
BK30_C3	C3		7206A P5				
BK30_C7N	化學鍊 Electroless Nickel Plating		C7		7206A P0		
BK30B_C7N			C7	7206B P0			
BK30_C5N			C5	7206A P0			
BK30B_C5N			C5	7206B P0			
BK30_C3N			C3	7206A P5			
BK35_C7			BK35	染黑 Black Oxide	C7	7207B P0	 <p style="text-align: center;">化學鍊 (適用環境：無塵室) Electroless Nickel Plating (Application : Clean room)</p>
BK35_C5	C5				7207B P0		
BK35_C3	C3	7207B P5					
BK35_C7N	化學鍊 Electroless Nickel Plating	C7		7207B P0			
BK35_C5N		C5		7207B P0			
BK35_C3N		C3		7207B P5			
BK40_C7	BK40	染黑 Black Oxide	C7	7208B P0	 <p style="text-align: center;">化學鍊 (適用環境：無塵室) Electroless Nickel Plating (Application : Clean room)</p>		
BK40_C5			C5	7208B P0			
BK40_C3			C3	7208B P5			
BK40_C7N		化學鍊 Electroless Nickel Plating	C7	7208B P0			
BK40_C5N			C5	7208B P0			
BK40_C3N			C3	7208B P5			

備註 (Note)

1. C7級使用之軸承無預壓處理,軸向最大間隙0.018mm
(Bearings are no Preload for C7 type support units , and Max. Axial clearance is 0.018 mm.)
2. C5級使用之軸承經預壓處理,軸向 0間隙
(Bearings make Preload for C5 type support units , and Axial clearance is 0 mm.)
3. 軸承皆採用日系品牌大廠
(All of bearings use Japan's brand bearings.)

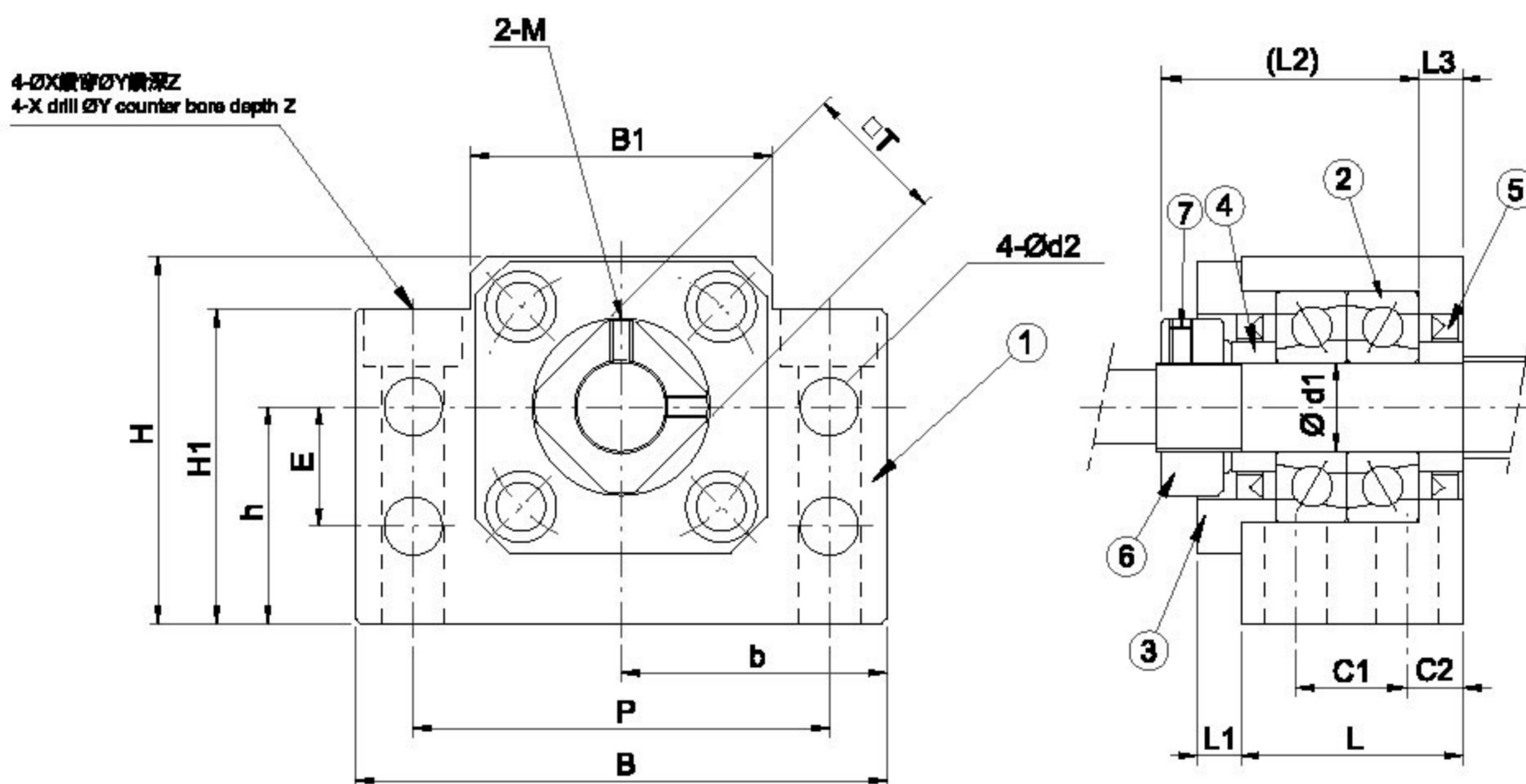
BK系列 (方形固定側)

Support Unit BK (fixed-side rectangular type)



番號/Part No.	部品名稱/Part name	數量/Qty
1	軸承座本體/Housing	1
2	軸承/Bearing	1組/1 set
3	壓板/Holding lid	1
4	間隔圈/Collar	2
5	軸封/Seal	2
6	鎖固螺帽/Lock nut	1組/1set
7	內六角止付螺絲附銅片 Hexagon socket-head Setscrew(with set piece)	2

BK



單位/Unit : mm

型號 Model No.	軸徑 Shaft diameter d1	L	L1	L2	L3	B	H	b	h	B1	H1	E	P	C1	C2	d2	X	Y	Z	M	T
								±0.02	±0.02												
BK10	10	25	5	29	5	60	39	30	22	34	32.5	15	46	13	6	5.5	6.6	10.8	5	M3	16
BK12	12	25	5	29	5	60	43	30	25	34	32.5	18	46	13	6	5.5	6.6	10.8	1.5	M4	19
BK15	15	27	6	32	6	70	48	35	28	40	38	18	54	15	6	5.5	6.6	11	6.5	M4	22
BK17	17	35	9	44	7	86	64	43	39	50	55	28	68	19	8	6.6	9	14	8.5	M4	24
BK20	20	35	8	43	8	88	60	44	34	52	50	22	70	19	8	6.6	9	14	8.5	M4	30
BK25	25	42	12	54	9	106	80	53	48	64	70	33	85	22	10	9	11	17.5	11	M5	35
BK30	30	45	14	61	9	128	89	64	51	76	78	33	102	23	11	11	14	20	13	M6	40
BK35	35	50	14	67	12	140	96	70	52	88	79	35	114	26	12	11	14	20	13	M8	50
BK40	40	61	18	76	15	160	110	80	60	100	90	37	130	33	14	14	18	26	17.5	M8	50